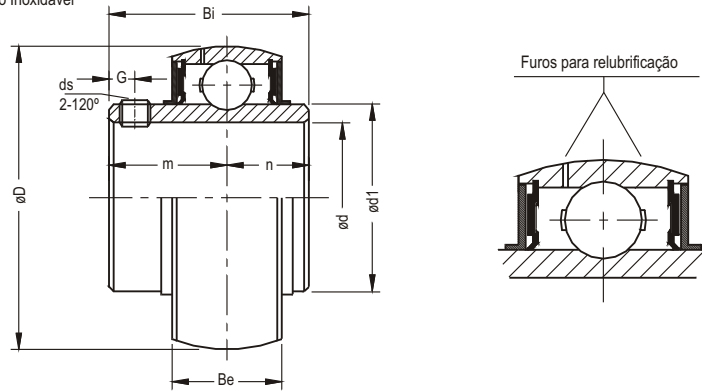


SUC 200

Rolamento esférico com fixação por parafusos
 Serviço Normal
 Aço Inoxidável



Ø eixo mm pol	Rolamento	Dimensão nominal (mm)							ds (mm) (UNF)	Cargas (Kgf)		Peso (Kg)	Rotação máxima (rpm) ajuste h7
		D	d1	Bi	n	m	Be	G		dinâmica Cr	estática Cor		
3/4 20	SUC 204-12 SUC 204	47,0	29,0	31,0	12,7	18,3	16,0	5,0	M6x1 1/4-28	990	665	0,20	4800
25 1	SUC 205 SUC 205-16	52,0	34,0	34,0	14,3	19,7	17,0	5,5	M6x1 1/4-28	1080	788	0,20	4000
30	SUC 206	62,0	40,5	38,1	15,9	22,2	19,0	6,0	M6x1	1500	1120	0,30	3400
1-1/4 35	SUC 207-20 SUC 207	72,0	48,0	42,9	17,5	25,4	20,0	6,5	M8x1 5/16-24	1980	1520	0,50	3000
1-1/2 40	SUC 208-24 SUC 208	80,0	53,0	49,2	19,0	30,2	21,0	8,0	M8x1 5/16-24	2230	1820	0,65	2600
45	SUC 209	85,0	57,0	49,2	19,0	30,2	22,0	8,0	M8x1	2520	2080	0,70	2400
50	SUC 210	90,0	62,0	51,6	19,0	32,6	23,0	9,0	M10x1,25	2690	2320	0,80	2200
55	SUC 211	100,0	69,0	55,6	22,2	33,4	25,0	9,0	M10x1,25	3330	2920	1,15	2000
60	SUC 212	110,0	75,0	65,1	25,4	39,7	27,0	10,5	M10x1,25	4020	3280	1,55	1800